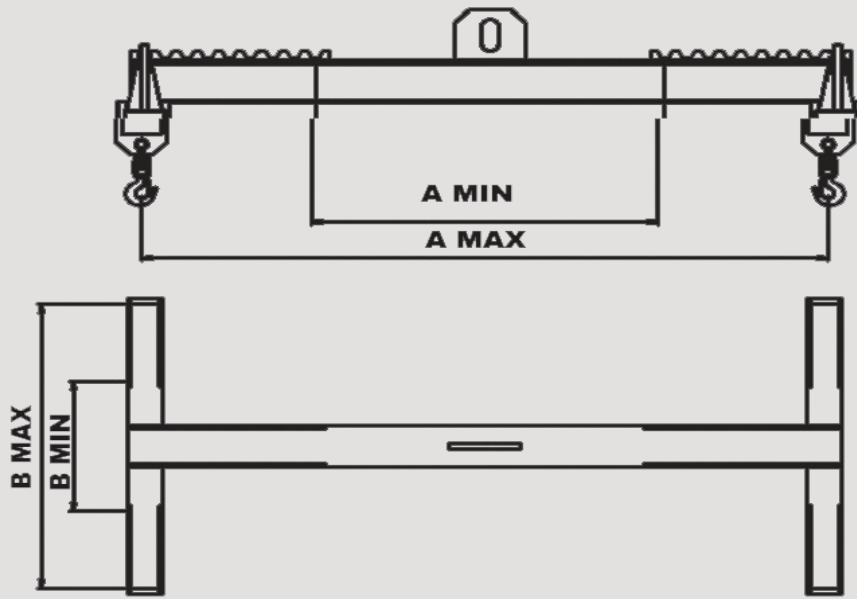


Lifting-beams-H-style-adjustable 4 Point safety swivel hooks Lifting Beam, SWL and Dimension To Your Spec - Range from 1000kg to 10,000kg



'H' style lifting beams are made in the Italy from steel and painted for indoor or out door use to our customers' specification. All our 'H' shape Lifting beams are made to order and therefore the design and lifting capacity can be modified to suit your individual requirements. (Safe Working Load, Span, paint type of hook size of eye etc..)

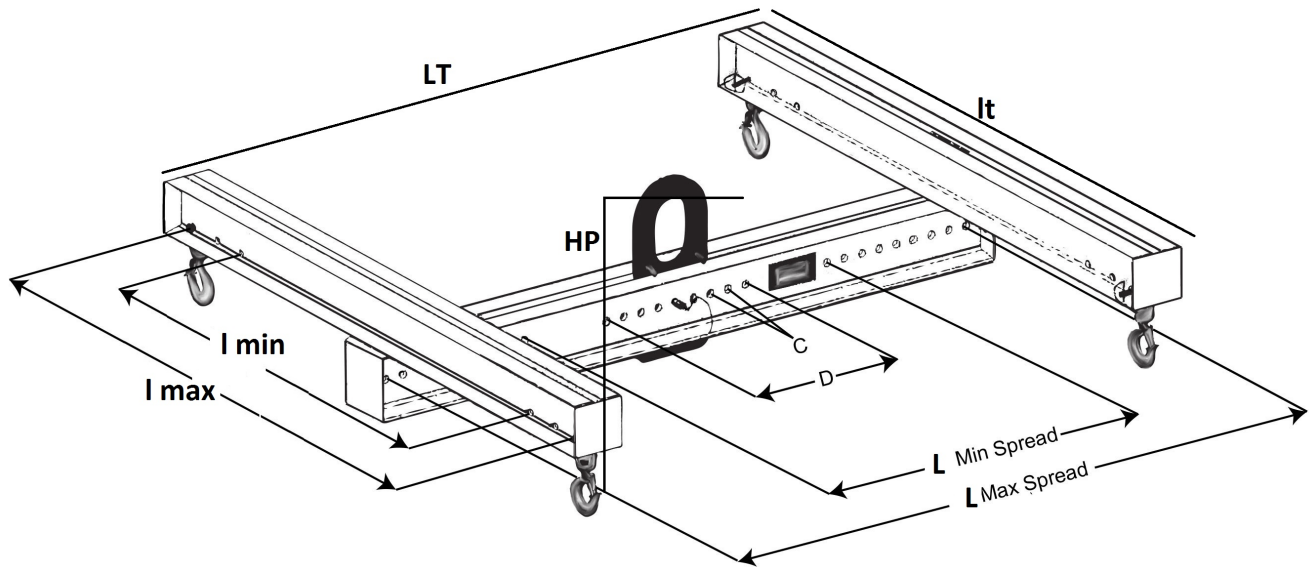
MODEL	CAPACITY	A MAX	A MIN	B MAX	B MIN
	KG	(mm)	(mm)	(mm)	(mm)
BHR-23	2000	3000	1500	1500	900
BHR-24	2000	4000	2000	2000	1100
BHR-25	2000	5000	2500	2500	1300
BHR-26	2000	6000	3000	3000	1500
BHR-33	3000	3000	1500	1500	900
BHR-34	3000	4000	2000	2000	1100
BHR-35	3000	5000	2500	2500	1300
BHR-36	3000	6000	3000	3000	1500
BHR-43	4000	3000	1500	1500	900
BHR-44	4000	4000	2000	2000	1100
BHR-45	4000	5000	2500	2500	1300
BHR-46	4000	6000	3000	3000	1500
BHR-53	5000	3000	1500	1500	900
BHR-54	5000	4000	2000	2000	1100
BHR-55	5000	5000	2500	2500	1300
BHR-56	5000	6000	3000	3000	1500

## H' style lifting beams



Supplied as standard with sheet metal section structure, finished with rust-proofing and two coats of paint. For beam customizations, please fill out an application evaluation form online.

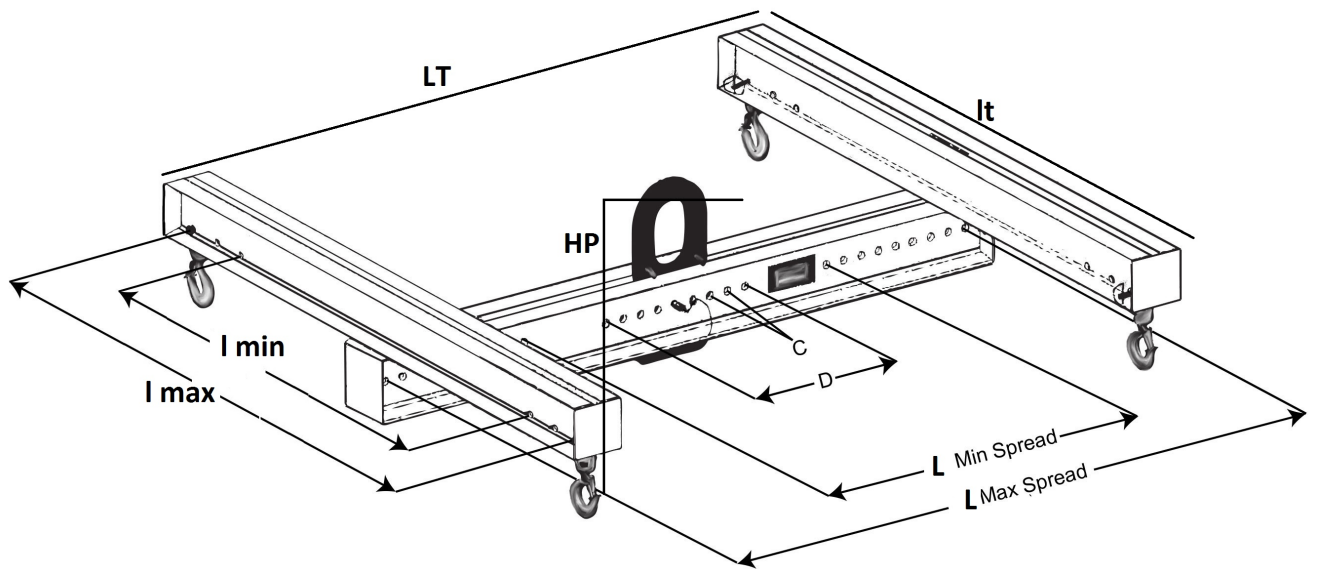
MODEL	CAPACITY	A MAX	A MIN	B MAX	B MIN
	KG	(mm)	(mm)	(mm)	(mm)
<i>BHR-63</i>	6000	3000	1500	1500	900
<i>BHR-64</i>	6000	4000	2000	2000	1100
<i>BHR-65</i>	6000	5000	2500	2500	1300
<i>BHR-66</i>	6000	6000	3000	3000	1500
<i>BHR-84</i>	8000	4000	2000	2000	1100
<i>BHR-85</i>	8000	5000	2500	2500	1300
<i>BHR-86</i>	8000	6000	3000	3000	1500
<i>BHR-104</i>	10000	4000	2000	2000	1100
<i>BHR-105</i>	10000	5000	2500	2500	1300
<i>BHR-106</i>	10000	6000	3000	3000	1500
<i>BHR-154</i>	15000	4000	2000	2000	1100
<i>BHR-155</i>	15000	5000	2500	2500	1300
<i>BHR-156</i>	15000	6000	3000	3000	1500



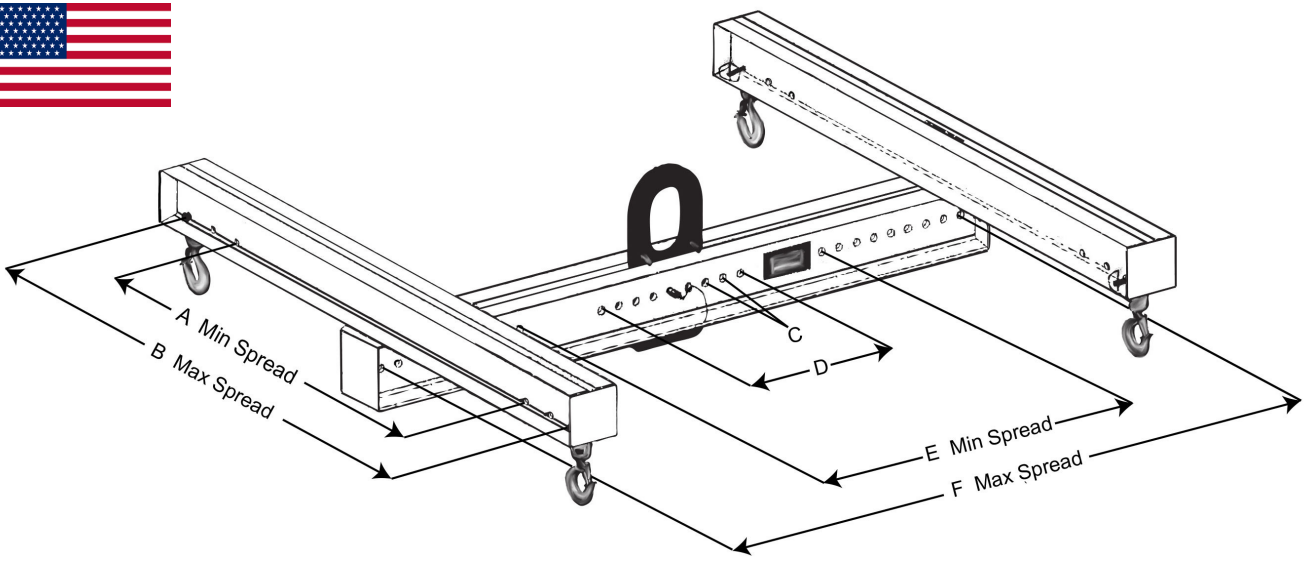
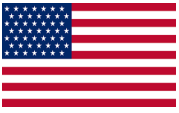
- Engineered and manufactured to ASME B30.20 & BTH-1 Design Category B Service Class 2.
- 100% of All lifting beams are Proof-Tested to 125% capacity and certificates supplied at No Additional Charge.
- Custom made and 100% Made in USA.

#### DESCRIPTION

- H-bar adjustable spreader beam.
- Adjustment of hooks on secondary beams.
- Adjustment of secondary beams on the main beam.
- Equipped with 4 articulated, rotating hooks with forged safety latches.
- Rust-proof paint + highly resistant RAL 1028 yellow polyurethane finish.
- Safety factor: 3.
- No structural weld.
- Group = FEM5.
- Low headroom.
- Maximum hoisting speed = 16m/min.
- For superior capacities, contact us.



Capacity (US Tons)*  * 1 US Ton = 2,000 lbs.	Max. length between hooks (L max)	Min. length between hooks (L min)	Max. distance between hook (I max)	Min. distance between hook (I min)	Total length (LT)	Overall dimension (lt)	Headroom (HP)
(US Tons)*	INCHES	INCHES	INCHES	INCHES	INCHES	INCHES	INCHES
<b>Model #</b>	40	20	40	20	48	44	11,5
<b>ELS 1</b>	80	40	40	20	87	44	11,5
	120	40	40	20	126	44	11,5
	120	40	80	40	126	83	11,5
	158	80	40	20	166	44	11,5
	158	80	80	40	166	83	11,5
<b>Model #</b>	40	20	40	20	48	44	12,6
	80	40	40	20	87	44	12,6
<b>ELS 2</b>	120	40	40	20	126	44	12,6
	120	40	80	40	126	83	12,6
	158	80	40	20	166	44	12,6
	158	80	80	40	166	83	12,6
<b>Model #</b>	40	20	40	20	48	44	15,8
	80	40	40	20	87	44	15,8
<b>ELS 3</b>	120	40	40	20	126	44	15,8
	120	40	80	40	126	83	15,8
	158	80	40	20	166	44	15,8
	158	80	80	40	166	83	15,8
<b>Model #</b>	40	20	40	20	48	44	15,8
	80	40	40	20	87	44	15,8
<b>ELS 4</b>	120	40	40	20	126	44	15,8
	120	40	80	40	126	83	15,8
	158	80	40	20	166	44	15,8
	158	80	80	40	166	83	15,8



# H-Style Spreader Beam with Adjustable Cross Beams Quote

Immediate Need or Budgeted: \*

Working Load Limit (Lbs): \*

Total Quantity: \*

A Min Spread (inches):

B Max Spread (inches): \*

C Bale Adjustment (Centers) Measurement (inches):

Bale Adjustment Points (# of):

D Distance Between Outside Points (inches):

E Min Spread (inches):

F Max Spread (inches): \*

## CONTACT INFORMATION

Company Name:

Contact Name: \*

Address:

City / State / Zipcode

Contact's Phone

Number: \*

Contact's Email: \*

## **Our Strengths: Products of excellence, quality-price ratio.**

- **Engineered and manufactured to ASME B30.20 & BTH-1 Design Category B Service Class 2.**
- **100% of All lifting beams are Proof-Tested to 125% capacity and certificates supplied at No Additional Charge.**
  - **Custom made and 100% Made in USA.**

